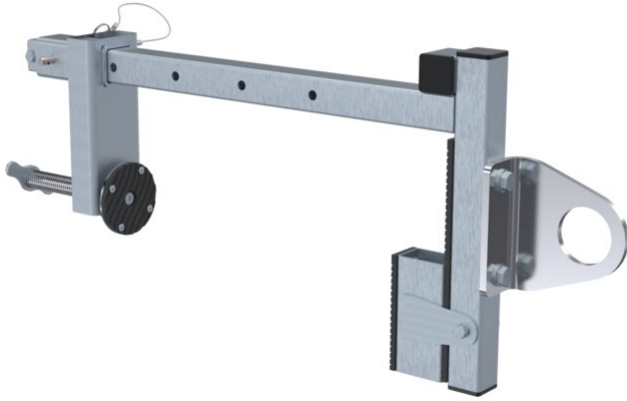


AT 254 Firewall Anchor Point

EN 795/B, CEN/TS 16415



The AT254 anchoring point for firewalls is designed to protect up to 2 people simultaneously. The device can be easily mounted on firewalls finished with sheet metal / window sills / walls / sheets min 12 mm thick. The only prerequisite is to fix the device on the upper edge of the object (it is forbidden to attach the device to the object from the side or from below). The frame is equipped with a movable slider that can be set in one of 5 positions (100mm spacing). The slider is equipped with a pressure screw, which must be finally tightened, pressing the frame on the structure.

SPECIAL FEATURES



Protection for 2 users

PARAMETERS

Material	steel	Spacing min.	12 mm
Finishing	galvanization	Spacing max.	468.5 mm
Dimensions	700 x 350 x 100 mm	Max. number of users	2
Weight	10.5 kg		
Static strength	12 kN		
Bore diameter of the catch point Ø	60 mm		

AT 254 Firewall Anchor Point

ADDITIONAL PHOTOS

